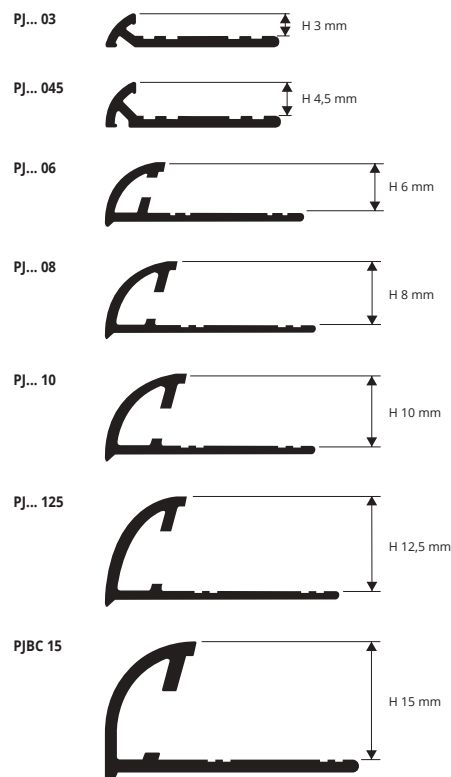


**PROJOLLY** is a rounded bead profile in polished aluminium that can be applied on external corners of coverings. It can be used to close the perimeter of coverings and like a connection profile between step tread and riser of stairs coated with ceramic or natural stone tiles. Its particular section and elegance, the availability in five different finishes and special pieces such as internal and external corners, end caps and joints make **PROJOLLY** a much sought-after and elegant profile that allows a workmanlike application.

# PROJOLLY

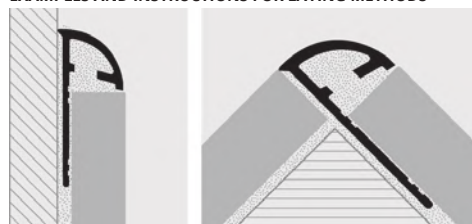
POLISHED ALUMINIUM  
CHROME, COPPER, TITANIUM, GOLD AND BLACK



POLISHED ALUMINIUM (chrome-copper-titanium-gold-black)  
thermo packed - bar length 2,7 lm - pack. 40 Pcs - 108 lm (H 15 mm - 54 lm)

Article	H mm		
PJBC 03 (polished chrome)	3		
PJBO 03 (polished gold)	3		*
PJBC 045 (polished chrome)	4,5		
PJBO 045 (polished gold)	4,5		
PJBC 06 (polished chrome)	6		
PJBO 06 (polished gold)	6		*
PJBR 08 (polished copper)	8		*
PJBT 08 (polished titanium)	8		*
PJBO 08 (polished gold)	8		
PJBC 08 (polished chrome)	8		
PJBN 08 (polished black)	8		*
PJBR 10 (polished copper)	10		*
PJBT 10 (polished titanium)	10		*
PJBO 10 (polished gold)	10		
PJBC 10 (polished chrome)	10		
PJBN 10 (polished black)	10		*
PJBR 125 (polished copper)	12,5		*
PJBT 125 (polished titanium)	12,5		*
PJBO 125 (polished gold)	12,5		
PJBC 125 (polished chrome)	12,5		
PJBN 125 (polished black)	12,5		
PJBC 15 (polished chrome)	15		

### EXAMPLES AND INSTRUCTIONS FOR LAYING METHODS



1. Choose "PROJOLLY" according to the tile thickness and desired finish. 2. Cut "PROJOLLY" to the desired length and apply the adhesive on the support where the profile will be laid. 3. Press the anchoring flange of "PROJOLLY" into the adhesive. 4. Lay the tiles, aligning them with the profile leaving a 2 mm joint. Remove immediately all remains of adhesive from the surface of the profile. 5. Fill the joints between the profile and the tiles with grout, in order to avoid water stagnation. Remove immediately all the remains of grout from the surface of the profile.

### COLOURS



© 2020 All rights reserved by Progress Profiles. Printed in Italy

## CAPSULES, END CAPS and THREE-WAYS JOINTS

POLISHED ALUMINIUM (chrome, copper, titanium, gold, black) / PLASTIC

### END CAPS - POLISHED ALUMINIUM chrome, copper, titanium, black

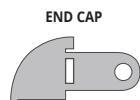
Article	Pack. 10 pcs	Pack. 2 pcs
TPJ... 06-08-10-125-15/...		

### JOINTS - PLASTIC

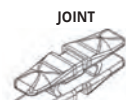
Article	Pack. 10 pcs	Pack. 2 pcs
GJJA 06-08-10-125-15/...		

Choose the desired packaging: E.g.:

GJJA .../10 (Pack. 10 Pcs)  
GJJA .../2 (Pack. 2 Pcs)



TPJ... .../...



GJJA .../...

### EXTERNAL CAPSULES



CPJ... .../...



CPJD.. .../...

### INTERNAL CAPSULES



IPJ... .../...



IPJD.. .../...

### LEFT CAPSULES POLISHED ALUMINIUM chrome, copper, titanium and gold

Article	H mm	Pack. 10 pcs	Pack. 2 pcs
CPJBO 06/... (external)	6		*
IPJBO 06/... (internal)	6		*
CPJBC 06/... (external)	6		
IPJBC 06/... (internal)	6		
CPJBC/BO 08/... (external)	8		
IPJBC/BO 08/... (internal)	8		
CPJBR 08/... (external)	8		*
IPJBR 08/... (internal)	8		*
CPJBT 08-10... (external)	8-10		
IPJBT 08-10... (internal)	8-10		
CPJBC/BO 10/... (external)	10		
IPJBC/BO 10/... (internal)	10		
CPJBR 10/... (external)	10		
IPJBR 10/... (internal)	10		
CPJBO 125/... (external) (*)	12,5		
IPJBO 125/... (internal)	12,5		
CPJBC 125/... (external) (*)	12,5		
IPJBC 125/... (internal)	12,5		
CPJBR 125/... (external) (*)	12,5		
IPJBR 125/... (internal)	12,5		*
CPJBT 125/... (external) (*)	12,5		*
IPJBT 125/... (internal)	12,5		
CPJBC 15/... (external) (*)	15		
IPJBC 15/... (internal)	15		

Choose the desired packaging: E.g.:

CPJBC .../10 (Pack. 10 Pcs)  
CPJBC .../2 (Pack. 2 Pcs)

(\*) NOT SUITABLE FOR THREE-WAYS CORNER

### LEFT CAPSULES POLISHED ALUMINIUM black

Article	H mm	Pack. 10 pcs	Pack. 2 pcs
CPJBN 08/...	8		*
IPJBN 08/...	8		*
CPJBN 10/...	10		
IPJBN 10/...	10		
CPJBN 125/...	12,5		*
IPJBN 125/...	12,5		*

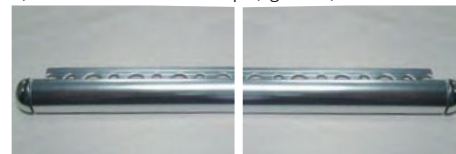
The right capsules are available on demand and must be used only in the following cases:  
A) when you are laying the cut base of the profile perpendicularly on the floor;



Add "D" to the article code. For example: CPJDBC 06.

Add "D" to the article code. For example: IPJDBC 06.

B) as an alternative to end-caps (right side).



LEFT CAPSULES

RIGHT CAPSULES

Add "D" to the article code. For example: CPJDBC 06.

\* = Production on demand with minimum quantity of 100 pcs. Production delay 4/5 weeks. Price to be agreed